

360° turn and 180° movable. Flexible shackle in the loading direction

KITO LIFTING POINT

Safety factor

5
times

180°
movable

360°
turn

NETIS registration No. KK-150017-A

No. 3606802

Patent

No. 3868439

No. 4369989

Wide variations of 21 types from bolt size M8 to M64

Working load **3.6t**

Working load **2.8t**

Working load **2.0t**

From **M24 to M48**

M24 **M24** **M24**

One bolt size with 3 selections of working

For example, M24 has 3 selections of working load; 3.6t, 2.8t and 2.0t.

Flexibly moving shackle in the loading direction! Realizing smooth work

- Working load up to 3 times higher than the JIS eye bolt (stationary type) with an identical bolt diameter
- Available for side lifting, oblique lifting, raising, etc. considered dangerous for the eye bolt



Seating face contact is essential for the eye bolt, but the ring direction is inconsistent...

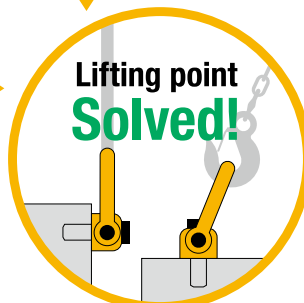
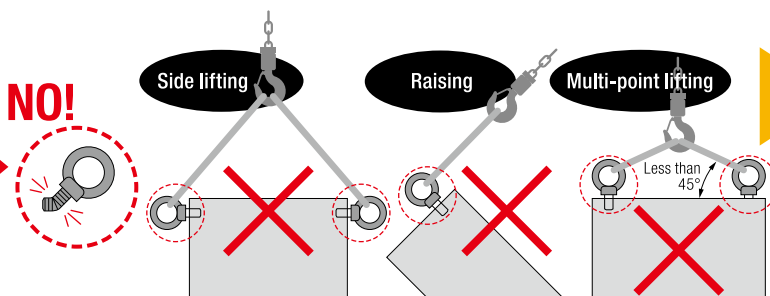
Do you loosen the eye bolt in line with the sling's direction?

That clearance is dangerous!

Do you use the eye bolt in these ways?

It is dangerous!

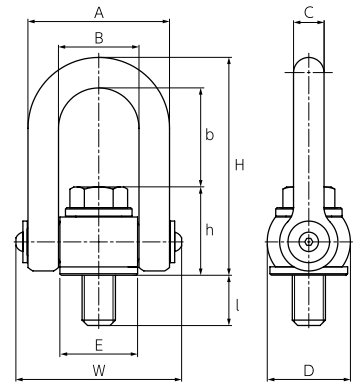
Bent ring or threaded part!



Bolt size and working load

Bolt size	Reference JIS eye bolt	LPA		LPB			
	Working load (t)	Working load (t)	Type	Working load (t)	Type	Working load (t)	Type
M8	0.08	0.3	LPA00308				
M10	0.15	0.5	LPA00510				
M12	0.22	0.8	LPA00812				
M16	0.45	1.6	LPA01616				
M20	0.63	2.5	LPA02520				
M24	0.95	3.6	LPA03624	2.8	LPB02824	2.0	LPB02024
M30	1.50	5.8	LPA05830	4.2	LPB04230	3.2	LPB03230
M36	2.30	8.0	LPA08036	6.5	LPB06536	4.6	LPB04636
M42	3.40	10.0	LPA10042	8.5	LPB08542	7.0	LPB07042
M48	4.50	15.0	LPA15048	12.0	LPB12048	9.0	LPB09048
M64	9.00			20.0	LPB20064		

- The working load is a static load applicable to one KITO lifting point.
- The LPB is a bolt size in common with the LPA and a group of products with a compact body.
- The substances specified by the RoHS directive are not contained in these products.



Standard bolts

When ordering, let us know the **Item code**

Bolt size	Working load (t)	Item code	Type	Standard below-head length: l (mm)	Dimension (mm)									Bolt tightening torque (N·m)	Mass (kg)	
					A	B	C	D	b	h	H	E	W			
M8	0.3	LPA1003A00011	LPA00308	11											7.8 to 14.7	0.18
M10	0.5	LPA1005A00011	LPA00510	16	41	25	8	28	32	31	71	24	50		9.8 to 24.5	0.19
M12	0.8	LPA1008A00011	LPA00812	21	50	30	10	32	40	38	88	29	62		14.7 to 39.2	0.35
M16	1.6	LPA1016A00011	LPA01616	27	65	37	14	42	47	48	109	36	79		39.2 to 98	0.75
M20	2.5	LPA1025A00011	LPA02520	31	83	47	18	50	60	57	135	45	100		68.6 to 147	1.38
M24	2.0	LPB1020A00011	LPB02024	35	65	37	14	42	45	50	109	36	79			0.83
	2.8	LPB1028A00011	LPB02824	35	83	47	18	50	58	59	135	45	100		98to245	1.42
	3.6	LPA1036A00011	LPA03624	37	102	58	22	60	72	63	157	56	121			2.38
M30	3.2	LPB1032A00011	LPB03230	45	83	47	18	50	58	59	135	45	100			1.52
	4.2	LPB1042A00011	LPB04230	45	102	58	22	60	68	67	157	56	120		118 to 343	2.46
	5.8	LPA1058A00011	LPA05830	50	128	72	28	75	90	79	197	70	150			4.90
M36	4.6	LPB1046A00011	LPB04636	55	102	58	22	60	68	67	157	56	120			2.63
	6.5	LPB1065A00011	LPB06536	55	128	72	28	75	88	81	197	70	150		147 to 490	4.91
	8.0	LPA1080A00011	LPA08036	57	154	90	32	90	112	91	235	85	176			7.60
M42	7.0	LPB1070A00011	LPB07042	65	128	72	28	75	88	81	197	70	150			5.14
	8.5	LPB1085A00011	LPB08542	65	154	90	32	90	109	94	235	85	176		177 to 588	7.76
	10.0	LPA1100A00011	LPA10042	67	176	104	36	105	130	109	275	100	200			11.80
M48	9.0	LPB1090A00011	LPB09048	70	154	90	32	90	109	94	235	85	176			8.00
	12.0	LPB1120A00011	LPB12048	70	176	104	36	105	126	113	275	100	200		294 to 785	11.90
	15.0	LPA1150A00011	LPA15048	73	200	116	42	120	140	127	309	110	226			18.20
M64	20.0	LPB1200A00011	LPB20064	90	200	116	42	120	133	134	309	110	226		294 to 785	18.70

Long bolt (bolt length specifiable)

When ordering, fill of **Item code 1** with **Item code 2** and let us know

[Example of ordering] In the case of the bolt size = M16 and the below-head length = 50 mm → LPA1016A00501



•Standard specification is full thread.

Bolt size	Working load (t)	Item code 1	Type	Standard below-head length: l (mm)	Item code 2																		
					Long bolt Below-head length: l (mm)																		
					015	020	025	030	035	040	045	050	055	060	065	070	075	080	085	090	095	100	
M8	0.3	LPA1003A0	LPA00308	11	●	●	●	●	●	●	●	●	●	●	●	●	●	●	●				
M10	0.5	LPA1005A0	LPA00510	16	△	●	●	●	●	●	●	●	●	●	●	●	●	●	●				
M12	0.8	LPA1008A0	LPA00812	21	△	△	●	●	●	●	●	●	●	●	●	●	●	●	●				
M16	1.6	LPA1016A0	LPA01616	27	△	△	△	●	●	●	●	●	●	●	●	●	●	●	●				
M20	2.5	LPA1025A0	LPA02520	31	△	△	△	△	●	●	●	●	●	●	●	●	●	●	●				
M24	2.0	LPB1020A0	LPB02024	35	△	△	△	△	△	●	●	●	●	●	●	●	●	●	●				
	2.8	LPB1028A0	LPB02824	35	△	△	△	△	△	△	●	●	●	●	●	●	●	●	●				
	3.6	LPA1036A0	LPA03624	37	△	△	△	△	△	△	△	●	●	●	●	●	●	●	●				
M30	3.2	LPB1032A0	LPB03230	45	△	△	△	△	△	△	△	●	●	●	●	●	●	●	●				
	4.2	LPB1042A0	LPB04230	45	△	△	△	△	△	△	△	△	●	●	●	●	●	●	●				
	5.8	LPA1058A0	LPA05830	50	△	△	△	△	△	△	△	△	△	●	●	●	●	●	●				
M36	4.6	LPB1046A0	LPB04636	55	△	△	△	△	△	△	△	△	△	△	●	●	●	●	●				
	6.5	LPB1065A0	LPB06536	55	△	△	△	△	△	△	△	△	△	△	△	●	●	●	●				
	8.0	LPA1080A0	LPA08036	57	△	△	△	△	△	△	△	△	△	△	△	△	●	●	●				
M42	7.0	LPB1070A0	LPB07042	65	△	△	△	△	△	△	△	△	△	△	△	△	△	●	●				
	8.5	LPB1085A0	LPB08542	65	△	△	△	△	△	△	△	△	△	△	△	△	△	△	●				
	10.0	LPA1100A0	LPA10042	67	△	△	△	△	△	△	△	△	△	△	△	△	△	△	△				
M48	9.0	LPB1090A0	LPB09048	70	△	△	△	△	△	△	△	△	△	△	△	△	△	△	△				
	12.0	LPB1120A0	LPB12048	70	△	△	△	△	△	△	△	△	△	△	△	△	△	△	△				
	15.0	LPA1150A0	LPA15048	73	△	△	△	△	△	△	△	△	△	△	△	△	△	△	△				
M64	20.0	LPB1200A0	LPB20064	90	△	△	△	△	△	△	△	△	△	△	△	△	△	△	△				

- The items marked with "●" in the above table differ from the standard bolts in the price and the delivery period. Please contact us.
- For the items marked with "△" in the above table or those with the below-head length exceeding 100 mm, please contact us.
- The items hatched in the above table (shorter below-head length than the standard bolts) are not provided.

List of basic working loads by lifting method

When handling a cargo with 2 or more lifting points, use within the scope of the working load in the table below.

Lifting method												
Quantity			1	1	2	2	2			or 4		
Angle of loading: θ			—	—	—	—	60°	90°	120°	60°	90°	120°
ボルト サイズ	使用荷重 (t)	形式	Basic working load by lifting method (t)									
M8	0.3	LPA00308	≦ 0.3	≦ 0.3	≦ 0.6	≦ 0.6	≦ 0.5	≦ 0.4	≦ 0.3	≦ 0.8	≦ 0.6	≦ 0.4
M10	0.5	LPA00510	≦ 0.5	≦ 0.5	≦ 1.0	≦ 1.0	≦ 0.9	≦ 0.7	≦ 0.5	≦ 1.3	≦ 1.1	≦ 0.7
M12	0.8	LPA00812	≦ 0.8	≦ 0.8	≦ 1.6	≦ 1.6	≦ 1.4	≦ 1.1	≦ 0.8	≦ 2.0	≦ 1.7	≦ 1.2
M16	1.6	LPA01616	≦ 1.6	≦ 1.6	≦ 3.2	≦ 3.2	≦ 2.7	≦ 2.2	≦ 1.6	≦ 4.0	≦ 3.4	≦ 2.4
M20	2.5	LPA02520	≦ 2.5	≦ 2.5	≦ 5.0	≦ 5.0	≦ 4.3	≦ 3.5	≦ 2.5	≦ 6.3	≦ 5.3	≦ 3.7
M24	2.0	LPB02024	≦ 2.0	≦ 2.0	≦ 4.0	≦ 4.0	≦ 3.4	≦ 2.8	≦ 2.0	≦ 5.0	≦ 4.2	≦ 3.0
	2.8	LPB02824	≦ 2.8	≦ 2.8	≦ 5.6	≦ 5.6	≦ 4.8	≦ 3.9	≦ 2.8	≦ 7.0	≦ 5.9	≦ 4.2
	3.6	LPA03624	≦ 3.6	≦ 3.6	≦ 7.2	≦ 7.2	≦ 6.1	≦ 5.0	≦ 3.6	≦ 9.0	≦ 7.6	≦ 5.4
M30	3.2	LPB03230	≦ 3.2	≦ 3.2	≦ 6.4	≦ 6.4	≦ 5.4	≦ 4.5	≦ 3.2	≦ 8.0	≦ 6.7	≦ 4.8
	4.2	LPB04230	≦ 4.2	≦ 4.2	≦ 8.4	≦ 8.4	≦ 7.1	≦ 5.9	≦ 4.2	≦ 10.5	≦ 8.8	≦ 6.3
	5.8	LPA05830	≦ 5.8	≦ 5.8	≦ 11.6	≦ 11.6	≦ 9.9	≦ 8.1	≦ 5.8	≦ 14.5	≦ 12.2	≦ 8.7
M36	4.6	LPB04636	≦ 4.6	≦ 4.6	≦ 9.2	≦ 9.2	≦ 7.8	≦ 6.4	≦ 4.6	≦ 11.5	≦ 9.7	≦ 6.9
	6.5	LPB06536	≦ 6.5	≦ 6.5	≦ 13.0	≦ 13.0	≦ 11.1	≦ 9.1	≦ 6.5	≦ 16.3	≦ 13.7	≦ 9.7
	8.0	LPA08036	≦ 8.0	≦ 8.0	≦ 16.0	≦ 16.0	≦ 13.6	≦ 11.2	≦ 8.0	≦ 20.0	≦ 16.8	≦ 12.0
M42	7.0	LPB07042	≦ 7.0	≦ 7.0	≦ 14.0	≦ 14.0	≦ 11.9	≦ 9.8	≦ 7.0	≦ 17.5	≦ 14.7	≦ 10.5
	8.5	LPB08542	≦ 8.5	≦ 8.5	≦ 17.0	≦ 17.0	≦ 14.5	≦ 11.9	≦ 8.5	≦ 21.3	≦ 17.9	≦ 12.7
	10.0	LPA10042	≦ 10.0	≦ 10.0	≦ 20.0	≦ 20.0	≦ 17.0	≦ 14.0	≦ 10.0	≦ 25.0	≦ 21.0	≦ 15.0
M48	9.0	LPB09048	≦ 9.0	≦ 9.0	≦ 18.0	≦ 18.0	≦ 15.3	≦ 12.6	≦ 9.0	≦ 22.5	≦ 18.9	≦ 13.5
	12.0	LPB12048	≦ 12.0	≦ 12.0	≦ 24.0	≦ 24.0	≦ 20.4	≦ 16.8	≦ 12.0	≦ 30.0	≦ 25.2	≦ 18.0
	15.0	LPA15048	≦ 15.0	≦ 15.0	≦ 30.0	≦ 30.0	≦ 25.5	≦ 21.0	≦ 15.0	≦ 37.5	≦ 31.5	≦ 22.5
M64	20.0	LPB20064	≦ 20.0	≦ 20.0	≦ 40.0	≦ 40.0	≦ 34.0	≦ 28.0	≦ 20.0	≦ 50.0	≦ 42.0	≦ 30.0

Precautions for use

- The product is designed to be used for the materials with tensile strength equal to or higher than iron.
It is not usable for the materials with tensile strength of less than 400 N/mm².
- Use the product in a temperature range of -40 to 120°C and at 100% RH or less. It is not usable under water.
- The product is not usable in an alkaline or acid atmosphere.
- It is not allowed to install the product by catching an inclusion such as a washer between the product and a load,
or tightening a perforated steel sheet with a nut because the working load is reduced greatly.
- Use the product under the working load marked on the shackle.
- The working load differs depending on the angle of loading. Be sure to check the actual angle of loading and the working load.
- When using multiple units of the product at the same time, suspend a load in such a manner that they will be equally loaded.
When the load cannot be suspended equally due to the type of packing, select the lifting points with reference to the higher-load one.
- Before lifting, check that a load is applied in the vertical direction of the shackle.
- A shock load may be an unexpected overload. Take additional care when lifting off the ground and landing on the ground.
- Do not leave a load suspended for a long time.
- Inspection is the first step for safety. Carry out daily inspection, monthly inspection and periodic inspection for safe operation.

- KITO is a registered trademark of KITO Corporation.
- The functions and performance of the products mentioned in the catalog have been designed based on the related laws, regulations and standards according to their respective intended purposes.
If they are used for purposes other than their intended purposes such as being integrated into your equipment,
we will not take any responsibility for accidents attributable to their unintended usages as well as guarantee their performance and functions. Never remodel our products.
- In case you intend to use our products for special purposes, consult us in advance.
- In case you intend to export our products, consult us in advance. There are different standards and regulations from one destination to another.
- It is prohibited to reprint, copy or divert all the information in this catalog (photos, designs, text, illustrations, etc.) without our consent.
- The specifications in this catalog are partly subject to change without prior notice.

KITO

KITO CORPORATION

SHINJUKU NS Bldg. 9F, 2-4-1 Nishi-Shinjuku, Shinjuku-ku, Tokyo 163-0809, Japan

TEL: +81-3-5908-0180 FAX: +81-3-5908-0189

E-mail: overseas@kito.co.jp

www.kito.co.jp/en KITO Global Website: kito.com

Distributed by:

